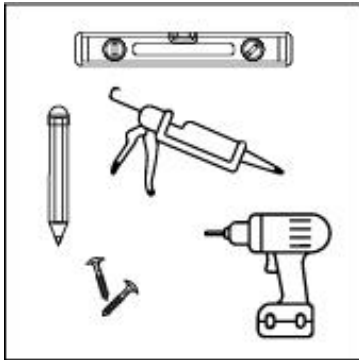


## INSTALLATION INSTRUCTIONS ACOUSTIC PANEL

### Preparation

Depending on the type of installation, you will need the following tools and materials:

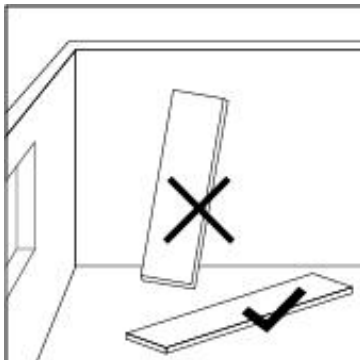


#### **Screw:**

- Cordless or manual screwdriver
- Drill, if necessary
- Screws (dowels), suitable for the wall condition
- Spirit level
- Pencil

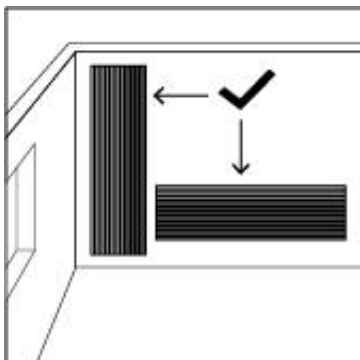
#### **Glue:**

- Glue gun
- Adhesive suitable for the surface
- Spirit level



Never store the packages upright, instead lay them flat on an even surface to avoid deformation.

The substrate must be clean and dry. Before installation, completely remove old coverings from the subfloor, if they affect the evenness or hinder the mounting.

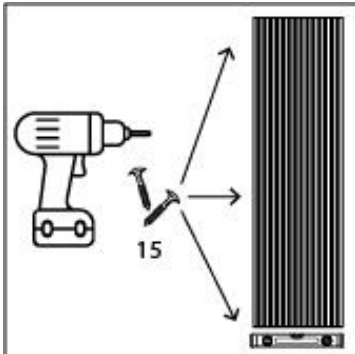


The panels can be mounted vertically or horizontally as desired.

If you cut the panels to size, use a cutter knife. We recommend that you tape the cut on the veneer with masking tape to prevent fraying.

## Wall mounting

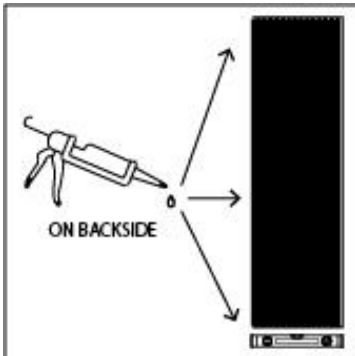
The acoustic panels can either be screwed or glued to the wall.



### Screw:

For mounting, you will need 15 screws per panel, which need to be evenly spaced and colour-matched to the felt.

Screw through the felt. Mark the holes on the panel beforehand.



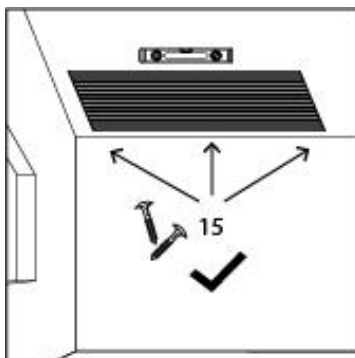
### Glue:

For gluing the acoustic panels, we recommend a solvent-free assembly adhesive. However, the selection of the appropriate adhesive always depends on the substrate.

The adhesive is applied in spots or in serpentine lines on the back.

Align the panels with the spirit level and press on.

## Ceiling mounting



### Screw:

Installation on the ceiling is always done with screws.

Use 15 screws per panel, evenly spaced and matching the colour of the felt.

Screw through the felt and align the panels correctly using a spirit level.

If you have any further questions about the installation of the acoustic panel, we will be happy to help you. Simply send us your enquiry by e-mail or give us a call.